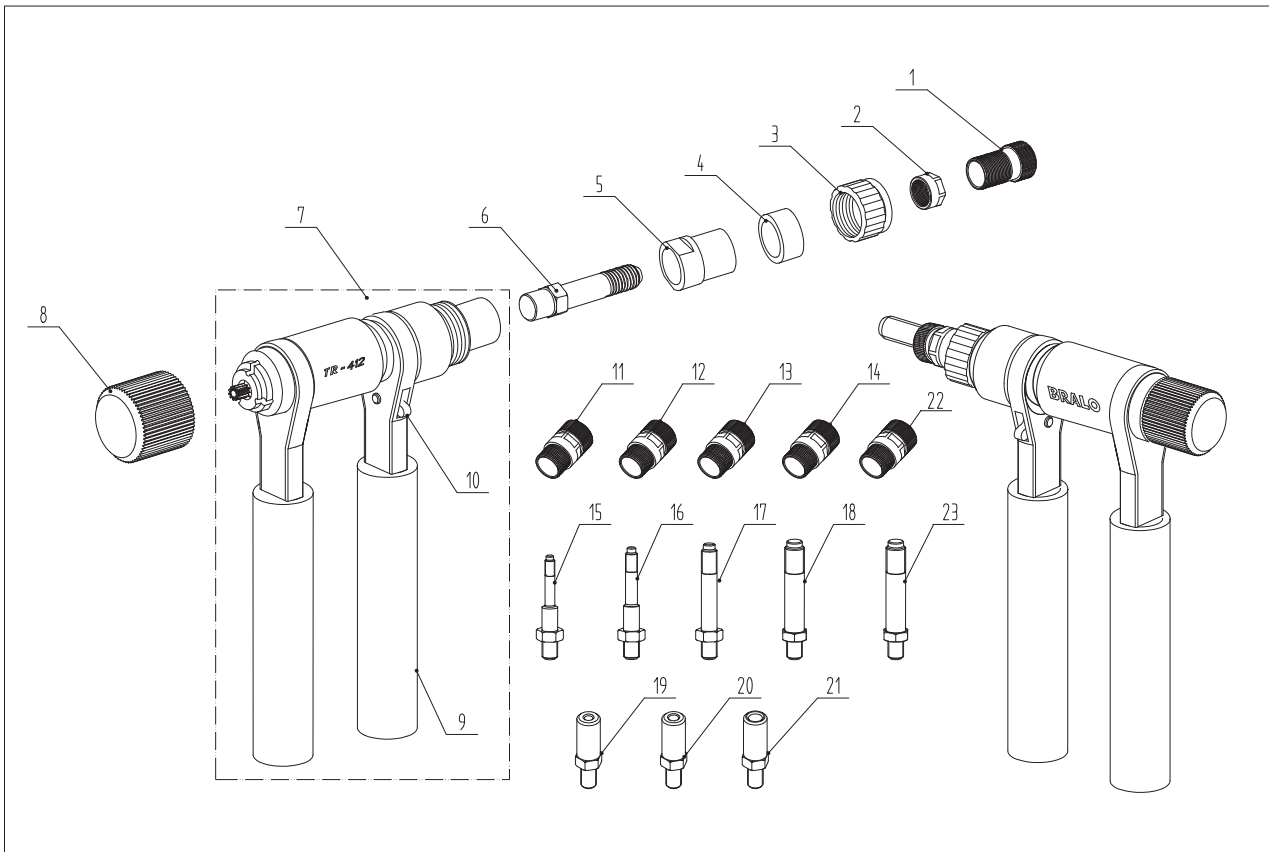


BREAKDOWN TR-412



N°	REFERENCE	DESCRIPTION
1	05BETN00015	Nosepiece M-12
2	05BETN00002	Locknut
3	05TR0412003	Nosecap nut
4	05TR0412004	Rubber ring
5	05TR0412005	Nosecap
6	05BETN00019	Mandrel M-12
7	05TR0412007	Main body
8	05TR0412008	Mandrel spin wheel
9	05TR0412009	Handle
10	05TR0412010	Turn shift switch
11	05BETN00012	Nosepiece M-5
12	05BETN00013	Nosepiece M-6
13	05BETN00014	Nosepiece M-8
14	05BETN00001	Nosepiece M-10
15	05BETN00016	Mandrel M-5
16	05BETN00017	Mandrel M-6
17	05BETN00018	Mandrel M-8
18	05BETN00003	Mandrel M-10
19	05BETN00034	Nosepiece Stud Nut M-5
20	05BETN00035	Nosepiece Stud Nut M-6
21	05BETN00036	Nosepiece Stud Nut M-8
22	05BETN00020	Nosepiece M-4 BET-N
23	05BETN00021	Mandrel M-4 BET-N